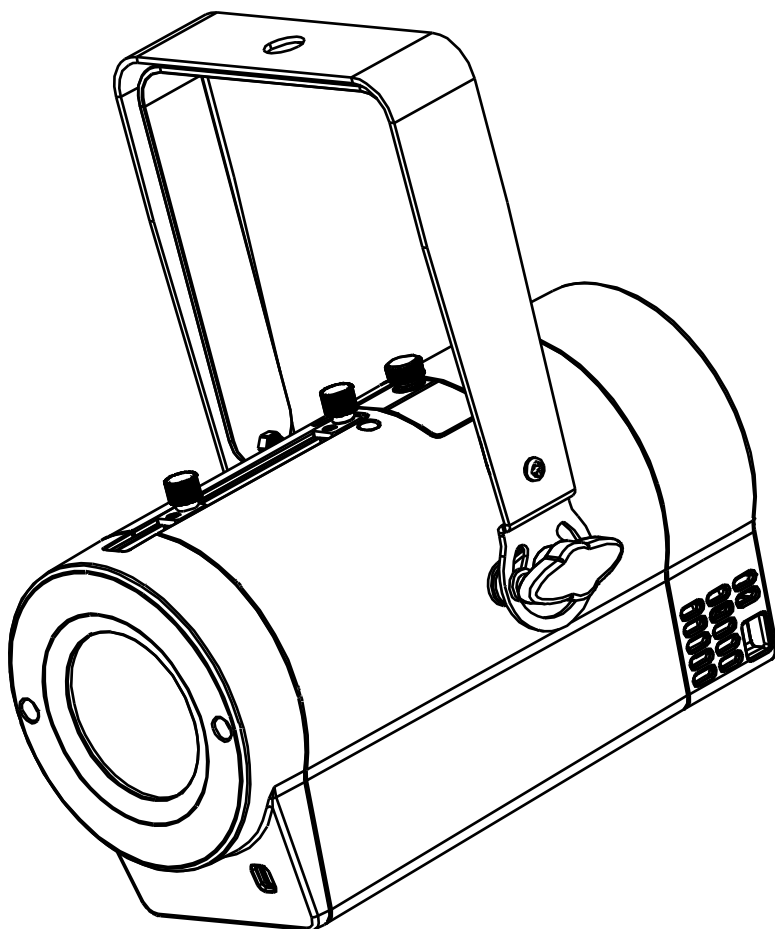


SHOWPRO

NITEC
powered by EK

GRAFIK

LED Gobo Projector
with Zoom



USER MANUAL

EN

TABLE OF CONTENTS

SAFETY / GENERAL INSTRUCTIONS

INTRODUCTION

Features

Specifications

OVERVIEW

Rear view

DIMENSIONS

CONTROL MENU OVERVIEW

Control Panel

Function Menu

DMX FUNCTION CHART

2-channel mode

UFI OPERATION

OPERATING MODE PRIORITY RANK

OPERATION

DMX mode

Stand-alone mode - Rotation

Stand-alone mode - Dimmer

INFRARED (IR6) REMOTE CONTROL OPERATION

MASTER/SLAVE OPERATION (via DMX cable)

MASTER/SLAVE OPERATION (via UFI wi-fi)

MAINTENANCE

PACKING CONTENT

- GRAFIK
- Power cord
- User manual
- Warranty Card




WARNING! Before carrying out any operations with the unit, carefully read this instruction manual and keep it with care for future reference. It contains important information about the installation, usage and maintenance of the unit.



SAFETY

General instruction

- The products referred to in this manual conform to the European Community Directives and are therefore marked with CE.
- The unit is supplied with hazardous network voltage (230V~). Leave servicing to skilled personnel only. Never make any modifications on the unit not described in this instruction manual, otherwise you will risk an electric shock.
- Connection must be made to a power supply system fitted with efficient earthing (Class I appliance according to standard EN 60598-1). It is, moreover, recommended to protect the supply lines of the units from indirect contact and/or shorting to earth by using appropriately sized residual current devices.
- The connection to the main network of electric distribution must be carried out by a qualified electrical installer. Check that the main frequency and voltage correspond to those for which the unit is designed as given on the electrical data label.
- This unit is not for home use, only professional applications.
- Never use the fixture under the following conditions:
 - in places subject to vibrations or bumps;
 - in places with a temperature of over 45°C.
- Make certain that no inflammable liquids, water or metal objects enter the fixture.
- Do not dismantle or modify the fixture.
- All work must always be carried out by qualified technical personnel. Contact the nearest sales point for an inspection or contact the manufacturer directly.
- If the unit is to be put out of operation definitively, take it to a local recycling  plant for a disposal which is not harmful to the environment.

Warnings and installation precautions

- This equipment is reserved for professional use. It is not intended for domestic use.
- The unit for indoor use only. To prevent or reduce the risk of electrical shock or fire, do not expose the unit to rain or moisture.
- If this device will be operated in any way different to the one described in this manual, it may suffer damage and the guarantee becomes void. Furthermore, any other operation may lead to dangers like short circuit, burns, electric shock, etc.
- Always inspect the mechanical and electrical parts of GRAFIK equipment before fitting to check they are not damaged. Do not operate the product if you see damage. If the part is damaged, it has to be replaced by a qualified technician.
- Don't connect the device to a dimmer pack.
- Before starting any maintenance work or cleaning the fixture, cut off power from the main supply.
- Never attach to product other equipment different GRAFIK accessories.
- Never let the power-cord come into contact with other cables! Handle the power-cord and all connections with the mains with particular caution!
- Never remove warning or informative labels from the unit.
- Do not shake the device. Avoid brute force when installing or operating the device.
- Make sure that the device is not exposed to extreme heat, moisture or dust.
- Keep any inflammable material at a safe distance from the fixture.
- Make sure that the power-cord is never crimped or damaged. Check the device and the power cord from time to time. If the external cable is damaged, it has to be replaced by a qualified technician.

INTRODUCTION

GRAFIK is an LED Gobo Projector with Zoom.

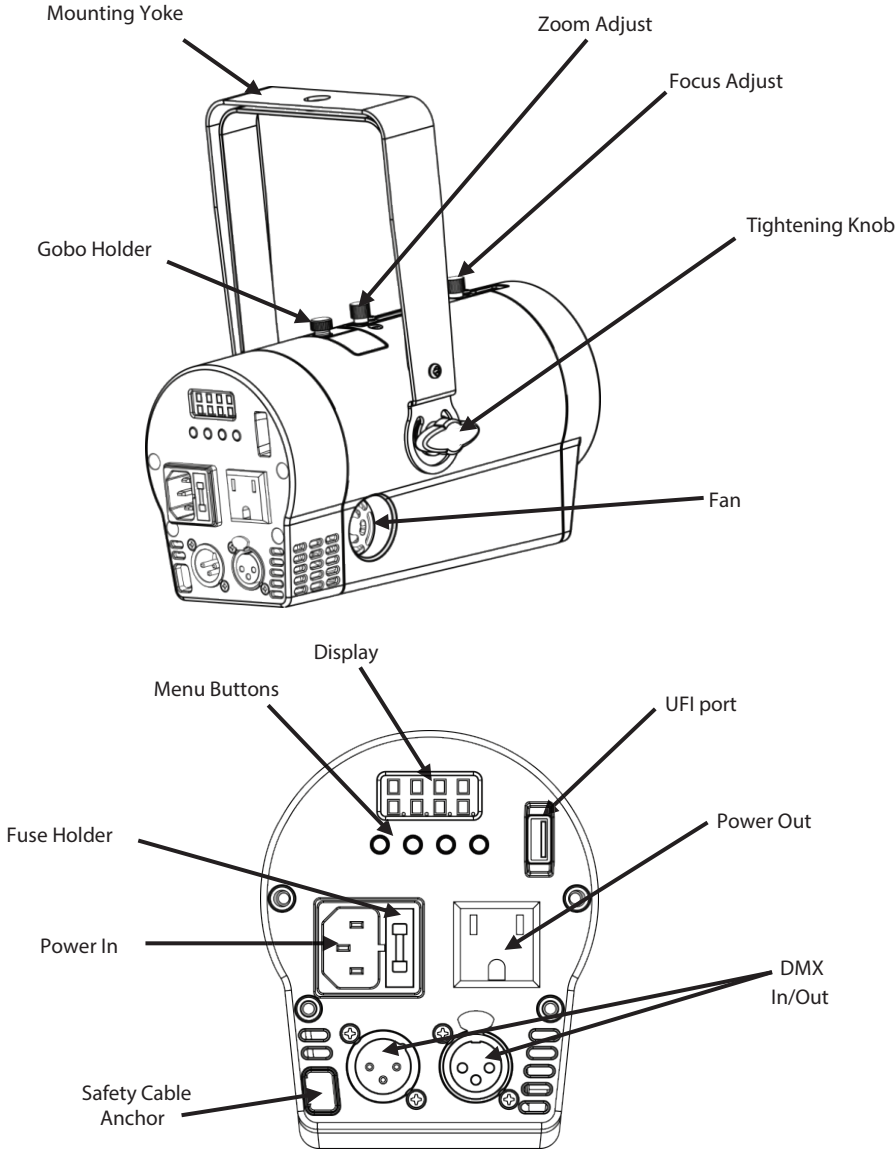
FEATURES

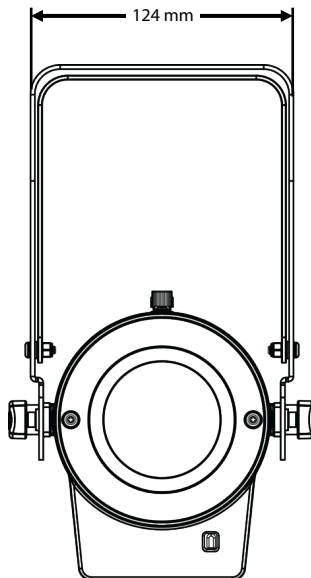
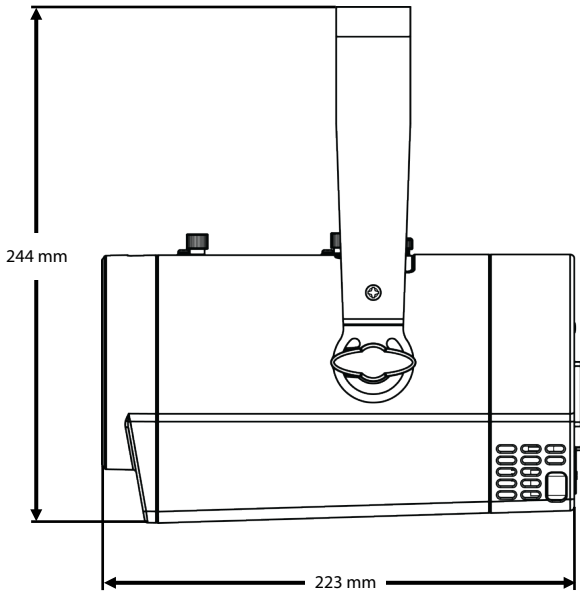
- Ultrabright LED gobo projector
- 10° - 25° zoom for versatility
- Fine gobo focus
- Includes 8 gobos for various events
- Various control options including DMX, Stand-alone, Master/Slave, IR or wireless DMX
- USB port for optional UFI transceiver for wireless DMX control
- IR sensor for optional IR6 infrared remote control

SPECIFICATIONS

Light Source:	30W White 6500K LED
Zoom range:	10° - 25°
Output:	1277 lux @ 3 meters
PWM Frequency:	1,200 Hz (flicker-free)
Control modes:	DMX, Master/Slave, Stand-alone, wireless DMX (with optional UFI transceiver), IR (with optional IR6 controller)
DMX Channels:	2
Menu:	4-digit LED display
Mains:	100 - 240 VAC, 50/60 Hz (auto-ranging)
Power:	36W
Power linking:	Up to 12 units
Power connections:	IEC power In/Out
Data connections:	3-pin XLR In/Out for DMX
Housing:	Aluminum
Finish:	Matte black
IP rating:	IP20
Cooling:	Variable-speed fan
Dimensions:	223 x 124 x 244 mm
Weight:	2.1 KG

OVERVIEW



DIMENSIONS

CONTROL MENU OVERVIEW

CONTROL PANEL

BUTTON	FUNCTION
Menu	Selects operating mode or exits submenus
Up	Scrolls up through option lists or selects higher value
Down	Scrolls down through option lists or selects lower value
Enter	Activates displayed menu option or selected value

FUNCTION MENU

MODE	OPTIONS / VALUES	DESCRIPTION
2-CH	d 1-d512	2-channel DMX mode
Gobo	StoP	No rotation
	L-SP L 0-L255	Left rotation speed
	r-SP r 0-r255	Right rotation speed
U--	U 0-U255	Dimmer
SEr	ON	Infrared (IR) function on or off
	OFF	

DMX FUNCTION CHART

2-CHANNEL MODE

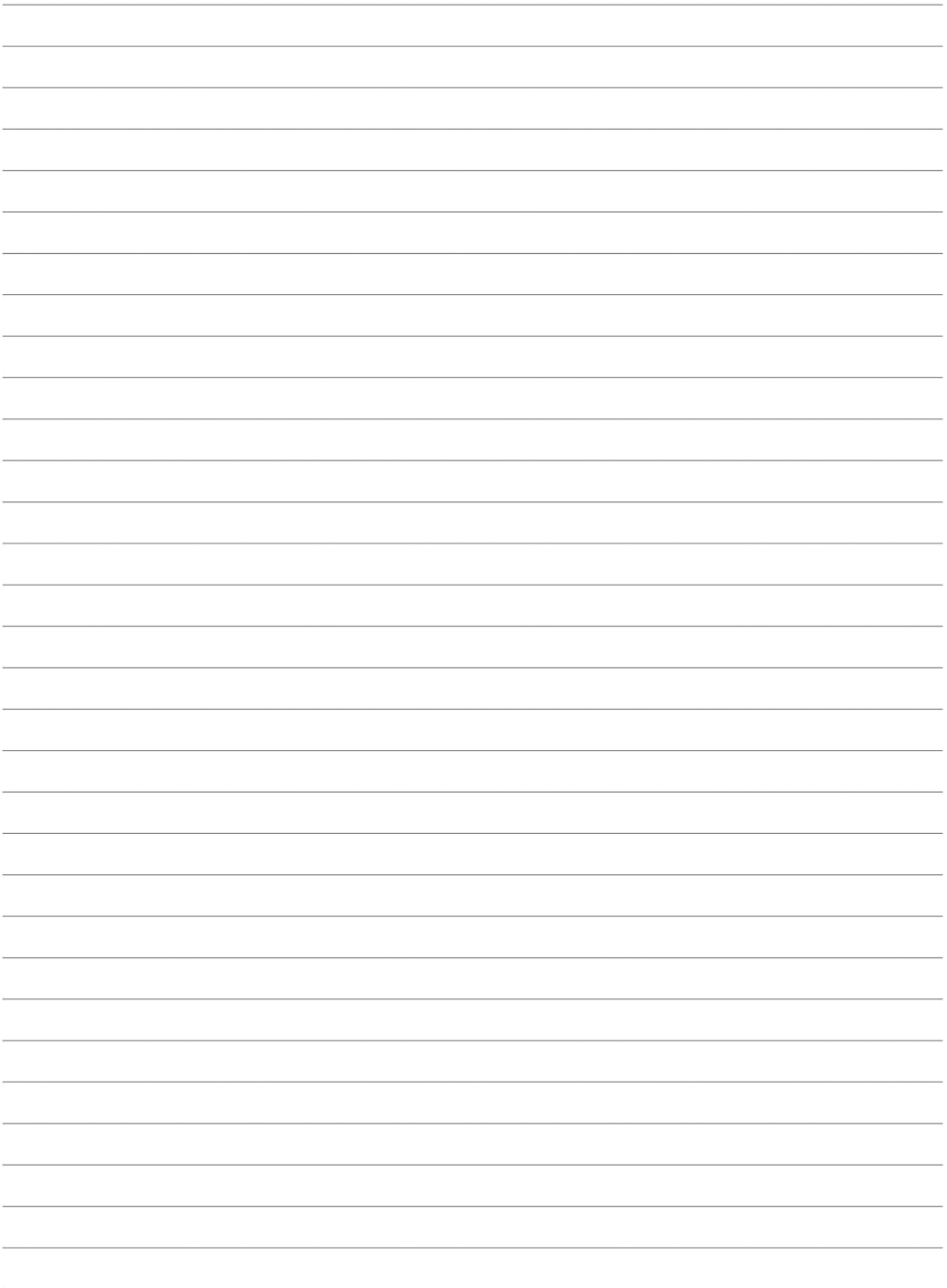
Channel	Function	Value	Percent/Setting
1	Dimmer	000 - 255	0-100%
2	Gobo Rotation	000	Stop
		001 - 122	Right rotation (fast to slow)
		123 - 133	Stop
		134 - 255	Left rotation (slow to fast)

UFI OPERATION

To enable wireless DMX operation via the optional UFI wi-fi transceiver:

- 1) Set the GRAFIK starting DMX address
- 2) Set the UFI sending/receiving channel
- 3) Attach the UFI to the GRAFIK USB port
- 4) Use Dipswitch 5 to select UFI send or receive mode.





OPERATING MODE PRIORITY RANK

Higher priority control modes override lower priority modes

1. UFI
2. DMX (wired)
3. Infrared (IR6 remote)
4. Manual (onboard menu)

OPERATION

DMX MODE

Press MENU button until **2-CH** is displayed
Press ENTER and **d 1-d512** will be displayed
Press UP or DOWN to select the starting address
Press ENTER

STAND-ALONE MODE - ROTATION

Press MENU button until **Gobo** is displayed
Press ENTER
Press UP and DOWN to select one of three options:
- **StoP** (no rotation)
- **L-SP** (left rotation)
- **r-SP** (right rotation)
Press ENTER
For **L-SP** or **r-SP**, press UP and DOWN to increase or decrease rotation speed
Press ENTER

STAND-ALONE MODE - DIMMER

Press MENU until **U--** is displayed.
Press ENTER and **Uxxx** will be displayed
Press UP and DOWN to increase or decrease dimmer setting
Press ENTER

INFRARED (IR6) REMOTE CONTROL OPERATION

The (optional) IR6 infrared controller enables remote control of the GRAFIK.

To pair the IR6 to the GRAFIK, follow these steps:

1. Press MENU button until **Ser** is displayed
2. Press ENTER
3. Press UP or DOWN to turn infrared operation ON or OFF
4. Press ENTER

IR6 BUTTON FUNCTIONS

ROTATION DIRECTION & SPEED CONTROL

- AUTO** : Press to set rotation direction
- + / - : Press to choose between **L-SP**, **r-SP**, or **StoP**
- SPEED** : Press to set rotation speed
- + / - : Press to increase / decrease rotation speed

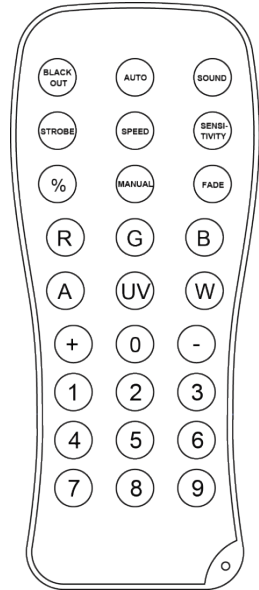
DIMMER CONTROL

- MANUAL** : Press to set dimmer level
- + / - : Press to increase / decrease dimmer level

BLACKOUT

- BLACKOUT** : Press to turn off light output
- BLACKOUT** : Press again to exit blackout mode

Note: : If IR6 remote is not responding, press **BLACKOUT** to confirm that blackout mode was not mistakenly activated



MASTER/SLAVE OPERATION (via DMX cable)

When multiple GRAFIK units are used together, Master/Slave mode enables the assignment of one master unit and multiple slave units. The master unit can be operated in stand-alone mode or by IR6 infrared remote control. The slave units should all be set to slave mode.

Note: Slave units should be configured and connected before linking to master unit

Setup as below:

SLAVE UNITS:

Press MENU button until **2-CH** is displayed
Press ENTER
Set DMX address to **d 1**
Connect DMX cable from master unit to DMX In connector
Link following slave units in similar cable configuration

MASTER UNIT:

Set rotation direction and speed on master unit
Link to slave units, beginning from the master DMX Out connector

MASTER/SLAVE OPERATION (via UFI wi-fi transceiver)

GRAFIK units can operate in Master/Slave mode wirelessly using the optional UFI wi-fi transceiver. The master UFI-enabled unit can be operated in Stand-alone mode or by the IR6 infrared remote, with the UFI set to transmit. The slave units should all be set to slave mode, with the UFI set to receive.

Note: Slave units should be configured before configuring master unit

Note: All units should be set to same DMX address, mode and UFI channel

Setup as below:

SLAVE UNITS:

Press MENU button until **2-CH** is displayed

Press ENTER

Set DMX address to **d 1**

Set UFI to preferred receiving channel (1-16)

Attach UFI to the GRAFIK's USB port

MASTER UNIT:

Press MENU button until DMX mode is displayed that matches slave configuration

Press ENTER

Set DMX address to **d 1**

Set rotation direction and speed

Set UFI to chosen transmitting channel (1-16)

Attach UFI to the GRAFIK's USB port

MAINTENANCE

MAINTENANCE AND CLEANING THE UNIT

- Make sure the area below the installation place is free from unwanted persons during setup.
- Switch off the unit, unplug the main cable and wait until the unit has cooled down.
- All screws used for installing the device and any of its parts should be tightly fastened and should not be corroded.
- Housings, fixations and installation spots (ceiling, trusses, suspensions) should be totally free from any deformation.
- The main cables must be in impeccable condition and should be replaced immediately even when a small problem is detected.
- It is recommended to clean the front at regular intervals, from impurities caused by dust, smoke, or other particles to ensure that the light is radiated at maximum brightness. For cleaning, disconnect the main plug from the socket. Use a soft, clean cloth moistened with a mild detergent. Then carefully wipe the part dry. For cleaning other housing parts use only a soft, clean cloth. Never use a liquid, it might penetrate the unit and cause damage to it.

FUSE REPLACEMENT

1. Remove the safety cap by a screwdriver.
2. Replace the blown fuse with a fuse of the exact same type and rating (T1A-250V).
3. Install the safety cap, and reconnect power.



Fig.7

TROUBLESHOOTING

Problems	Possible causes	Checks and remedies
Fixture does not light up	<ul style="list-style-type: none"> • No mains supply • Dimmer fader set to 0 • All color faders set to 0 • Faulty LED • Faulty LED board 	<ul style="list-style-type: none"> • Check the power supply voltage • Increase the value of the dimmer channels • Increase the value of the color channels • Replace the LED board • Replace the LED board
General low light intensity	<ul style="list-style-type: none"> • Dirty lens assembly • Misaligned lens assembly 	<ul style="list-style-type: none"> • Clean the fixture regularly • Install lens assembly properly
Fixture does not power up	<ul style="list-style-type: none"> • No power • Loose or damaged power cord • Faulty internal power supply 	<ul style="list-style-type: none"> • Check for power on power outlet • Check power cord • Replace internal power supply
Fixture does not respond to DMX	<ul style="list-style-type: none"> • Wrong DMX addressing • Damaged DMX cables • Bouncing signals 	<ul style="list-style-type: none"> • Check control panel and unit addressing • Check DMX cables • Install terminator as suggested

Contact an authorized service center in case of technical problems or not reported in the table can not be resolved by the procedure given in the table.



NITEC
powered by EK